

## Fluid circulation valve

Reference : 0524940

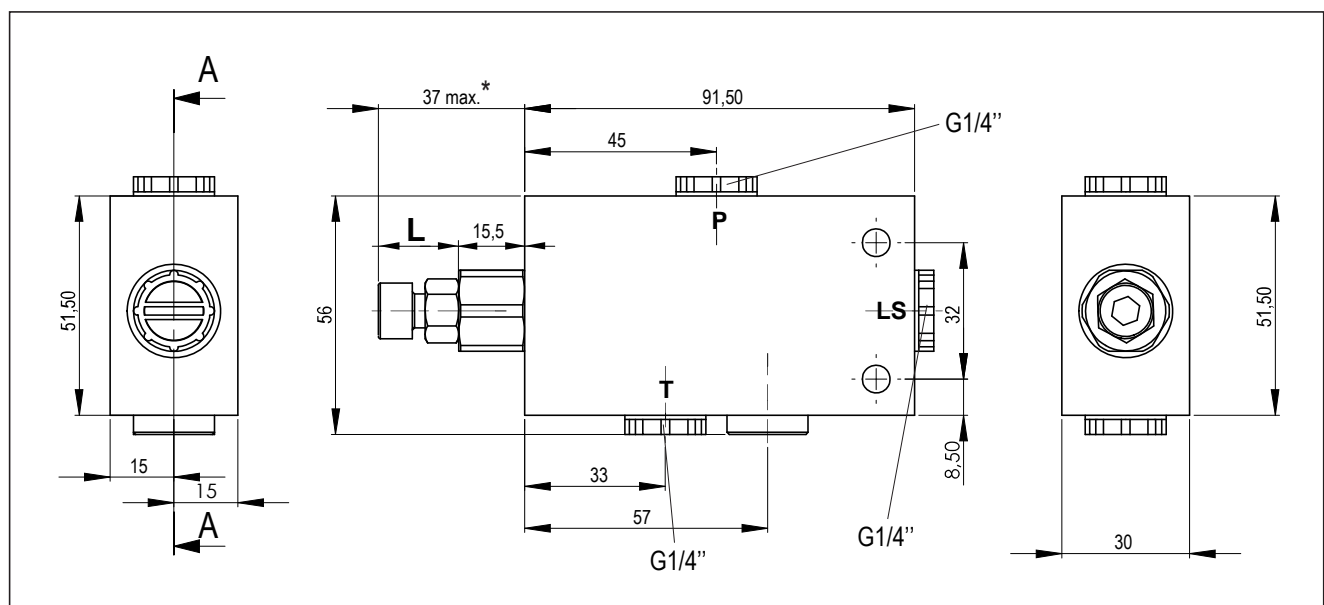
The fluid circulation valve (FCV) is designed for applications where the hydraulic variable displacement pump is used in standby mode for a long period of time, for example engine PTO.

This valve allows oil circulation in the pump, which protects the pump from overheating.



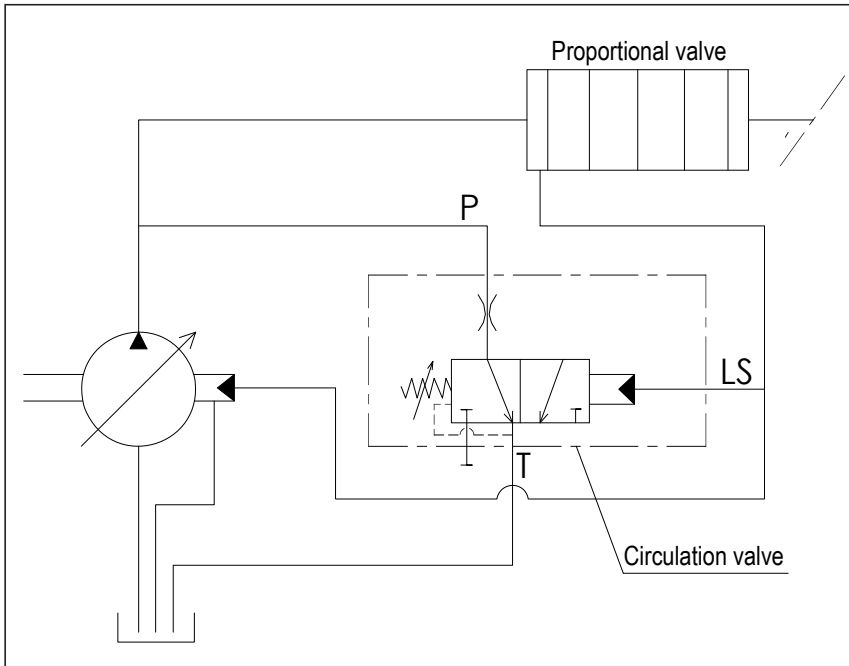
- The valve flow varies between 20 and 22 L/min.
- Maximum pressure is 420 bar.
- The closing pressure is 2 bar min. and 7 bar max.

### ► Dimensions (mm):



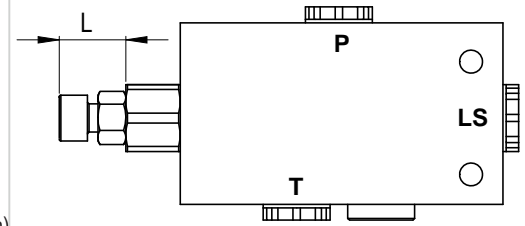
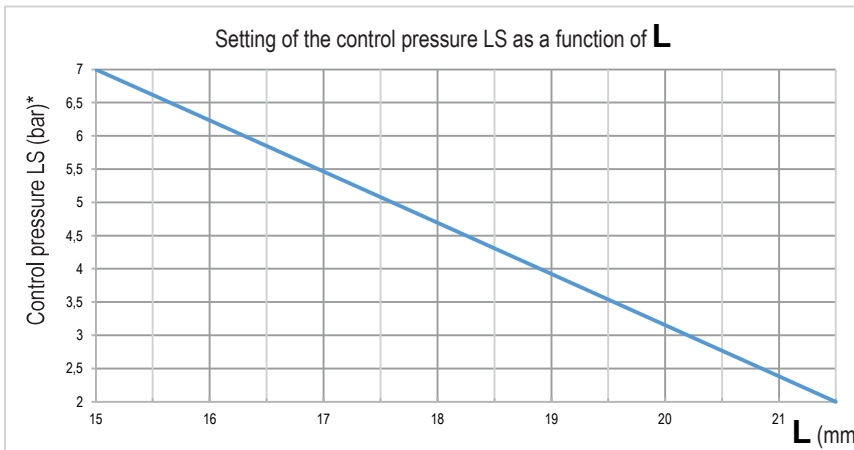
\* This length varies depending on the setting of **L** (see back of this page).

► **Schematics:**



LS = LS signal  
 P = pump pressure information  
 T = drain

► **Setting of the control pressure:**



\* With a pressure in T line at 0 bar.

For further information, please feel free to contact our Technical Department.  
 Mr Hervé COLIN - Tel : +33(0)3 83 76 05 37 - [hcolin@hydroleduc.com](mailto:hcolin@hydroleduc.com)



[www.hydroleduc.com](http://www.hydroleduc.com)

